



(Automatic Transfer Switch)

RELIABLE SUPPLY FOR SINGLE CORDED SERVERS

Highly reliable Automatic Transfer Switch with user friendly interface.
Hot swappable version for maximum supply availability.



PERFECT FOR:			
	IT applications	Single corded servers	Alarm & security systems

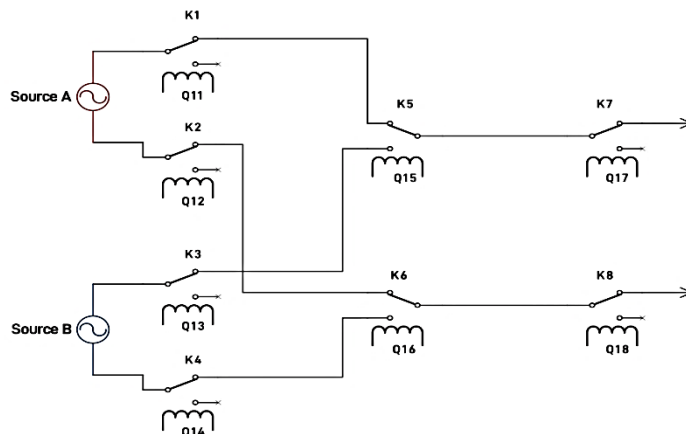
FEATURES

- Two separate independent sources
- Provide redundant power supply to single corded equipment
- Fast automatic switch between two sources
- High reliability
- User friendly operation with LCD/LED display
- Single phase 16A/32A
- 19" rack design
- ITS version: hot swappable ATS version for maintenance purposes
- Proven field measured reliability
- New Output terminals for 32A : 12x IEC C13 + 2x IEC C19 + 1x full rated hard wired terminals
- Output terminals for 16A : 8x IEC C13 + 1x IEC C19

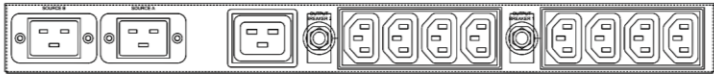
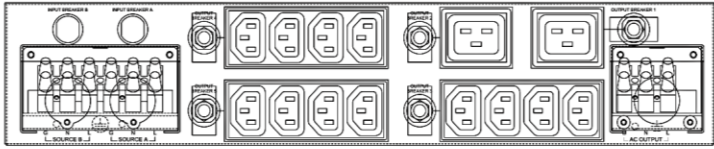
OPTIONS

- 120V versions available
- ITS with single full load terminal output

ATS BLOCK DIAGRAM



SPECIFICATIONS

MODEL		ATS-216/230Vac	ATS-232/230Vac	ITS-232/230Vac
INPUT	Voltage	200/208/220/230/240 (±5%/10%/15%/20%)		200/208/220/230/240 (±5%/10%/15%/20%)
	Acceptable voltage	150~300Vac		150~300Vac
	Frequency	50/60Hz (±5%/10%/15%/20%)		
	Maximum input current	16A	32A	32A
OUTPUT	Voltage	200/208/220/230/240		200/208/220/230/240
	Maximum output current	16A	32A	32A
	Transfer time (ms)	8~12ms (typical)		8~12ms (typical)
PROTECTION		Output short circuit/ Internal electronic circuit/ Electronic circuit		
INTERFACE	Standard	RS232, USB, 5x output dry contacts, comm. slot		
	Option	RS485, SNMP		
	Display	LED - Source A and/or B available, fault conditions LCD - alarms, measures, faults		
PHYSICAL	Inlet	IEC-C20 x2	30A cable terminal x2	30A cable terminal x2
	Outlet	IEC-C13 x8 IEC-C19 x1	IEC C13 x 12 IEC C19 x2 Full load terminal	IEC-C13 x8 IEC-C19 x2
	Dimensions (WxHxD) mm	440x44x275	440x88x275	440x88x325
	Net Weight (kg)	4	6	6
ENVIRONMENT	Operating temperature		-5~+40°C @0%~90% (non-condensing)	
	Safety	Safety	IEC EN 60950-1	
		EMC	IEC EN 62310-2	
BACK PANELS	<p>ATS-216/230Vac</p> 			
	<p>ATS-232/230Vac</p> 			
	<p>ITS-232/230Vac</p> 